

# Schréder

## SCULPFLOOD 60

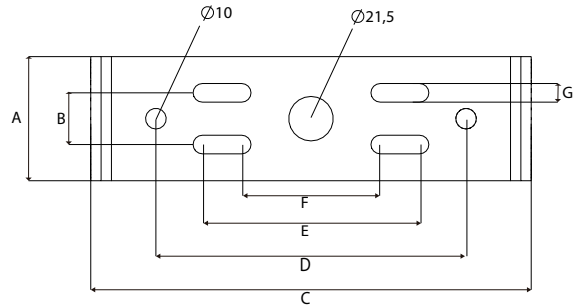
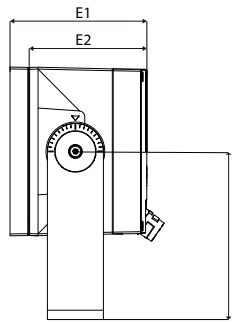
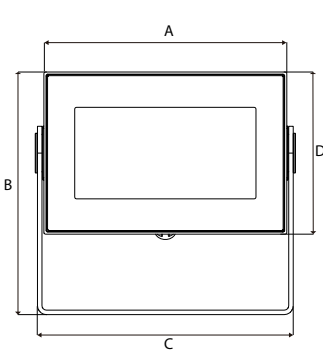
ENG	INSTALLATION INSTRUCTIONS	ITA	ISTRUZIONI DI INSTALLAZIONE	NLD	INSTALLATIE INSTRUCTIES	DAN	INSTALLATIONSVEJLEDNING	HUN	TELEPÍTÉSI ÚTMUTATÓ
DEU	INSTALLATIONSANLEITUNG	POL	INSTRUKCJE MONTAŻU	RUS	Инструкции по установке	RON	INSTRUCȚIUNI DE INSTALARE	CHI	安装说明
FRA	INSTRUCTIONS DE MONTAGE	SPA	INSTRUCCIONES DE INSTALACIÓN	POR	INSTRUÇÕES DE INSTALAÇÃO	SWE	INSTALLATIONSANVISNING	UKR	Інструкції з монтажу
SRP	UPUTSTVA ZA INSTALACIJU	AR	تعليمات التركيب						



220-240V  
50Hz

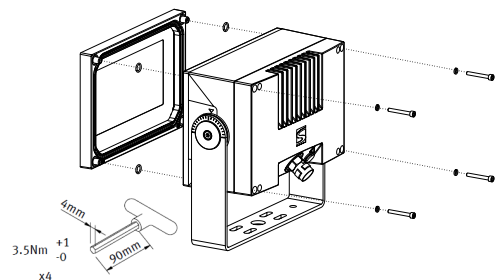
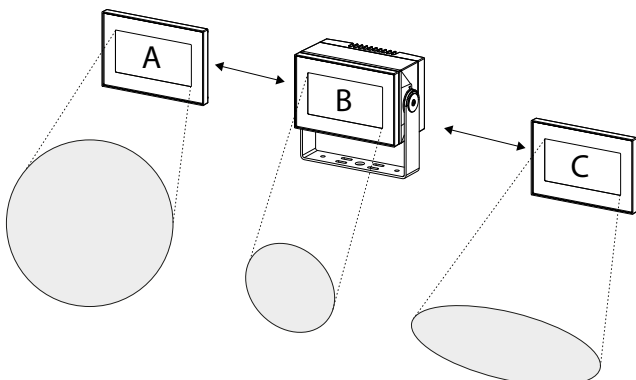
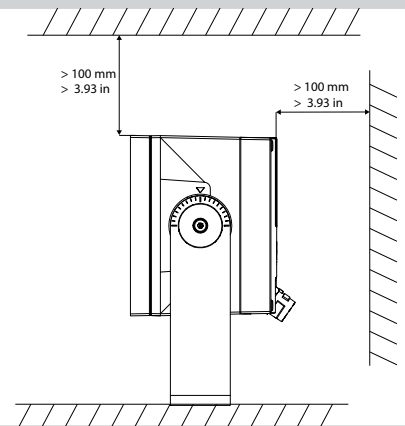
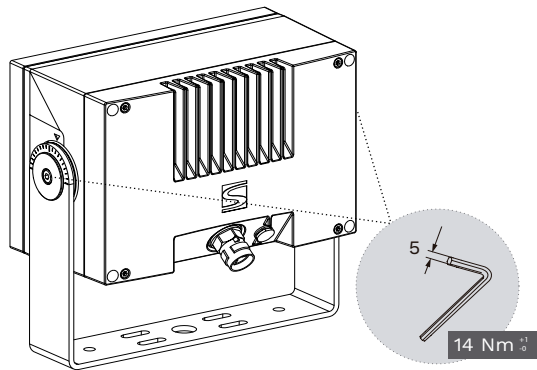
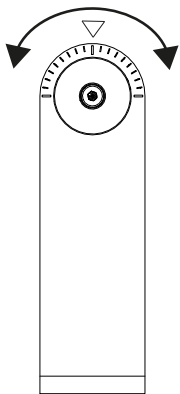
IK  
06

IK  
PC  
08



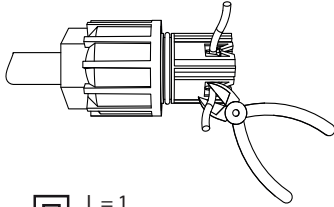
A	271 mm	D	181 mm
B	10.66 in	E1	7.12 in
C	270 mm	E2	147 mm
	10.62 in	F	5.78 in
	285 mm		127 mm
	11.22 in		5 in
			180 mm
			7.08 in

A	60 mm	D	200 mm
B	2.36 in	E	7.87 in
C	25 mm	F	105 mm
	0.98 in	G	4.13 in
	285 mm		67 mm
	11.22 in		2.63 in
			9 mm
			0.35 in

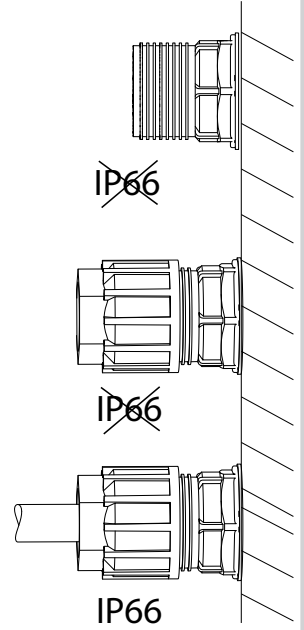
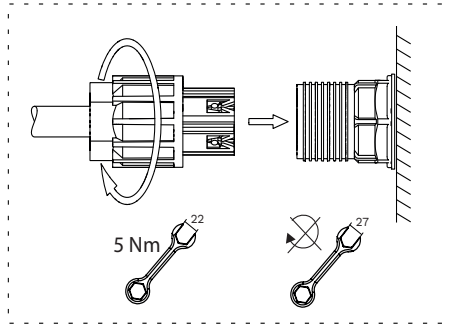
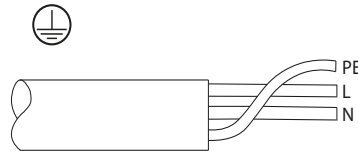


220-240V 50-60Hz

1 - 2.5 mm

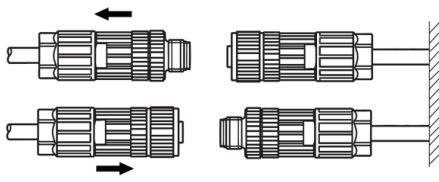
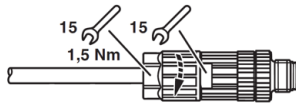
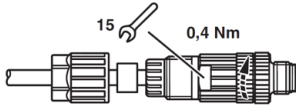
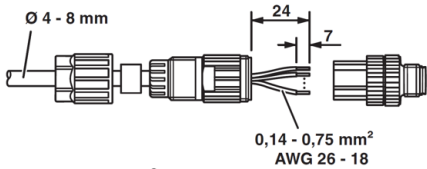


- L = 1
- N = 2
- ⊕ L = 1
- ⊕ N = 2
- ⊕ PE = ⊕



DMX

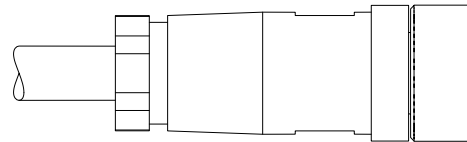
M12 A-CODE  
4/5 WAY



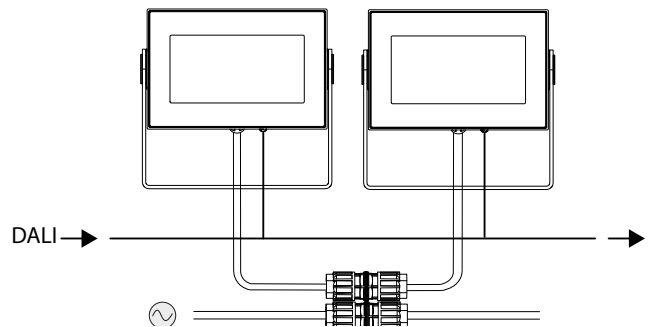
- 1 = GND (DMX Common)
- 2 = data -
- 3 = data +
- 4 =
- 5 =

DALI

M12 A-CODE  
4/5 WAY



- 1 =
- 2 =
- 3 = DALI
- 4 = DALI
- 5 =



SCULP 150

