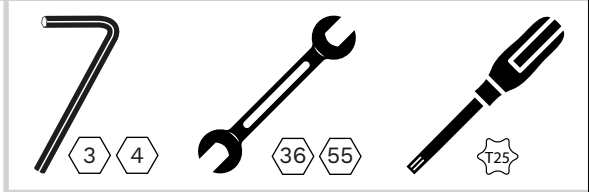
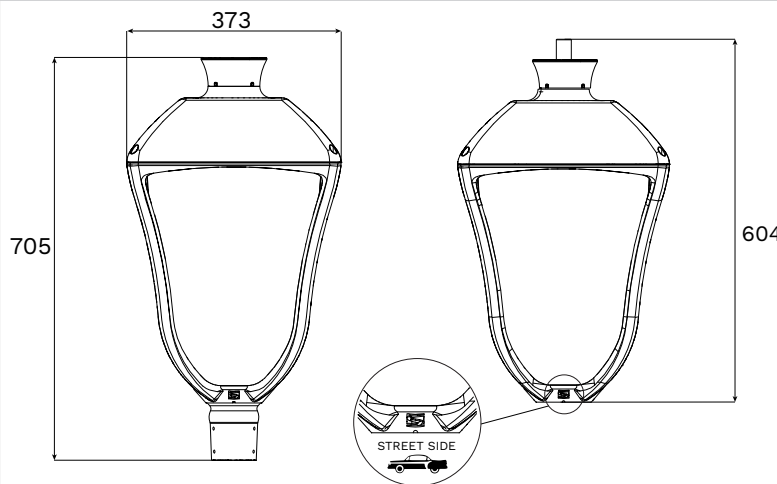


Schröder STYLAGE

ENG	INSTALLATION INSTRUCTIONS	ITA	ISTRUZIONI DI INSTALLAZIONE	NLD	INSTALLATIE INSTRUCTIES	DAN	INSTALLATIONSVEJLEDNING	HUN	TELEPÍTÉSI ÚTMUTATÓ
DEU	INSTALLATIONSANLEITUNG	POL	INSTRUKCJE MONTAŻU	RUS	Инструкции по установке	RON	INSTRUCȚIUNI DE INSTALARE	CHI	安装说明
FRA	INSTRUCTIONS DE MONTAGE	SPA	INSTRUCCIONES DE INSTALACIÓN	POR	INSTRUÇÕES DE INSTALAÇÃO	SWE	INSTALLATIONSANVISNING	UKR	Інструкції з монтажу
SRP	UPUTSTVA ZA INSTALACIJU	ARA	تعليمات التركيب						

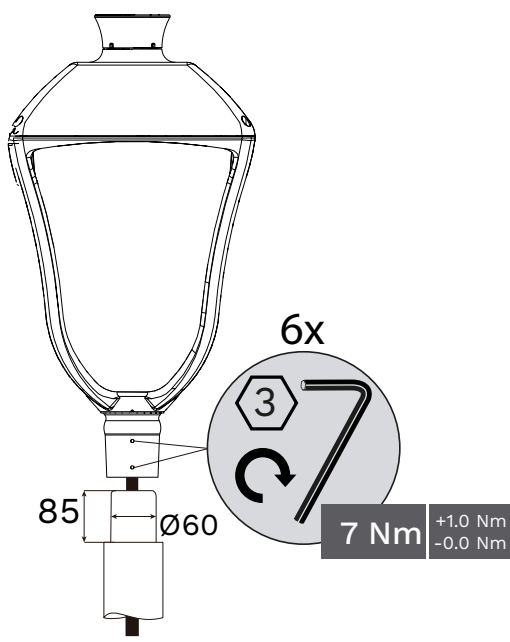


ALL THE TIGHTENING TORQUES VALUES ARE GIVEN FOR ASSEMBLIES WITHOUT THE ADDITION OF A GREASE DECREASING FRICTION.

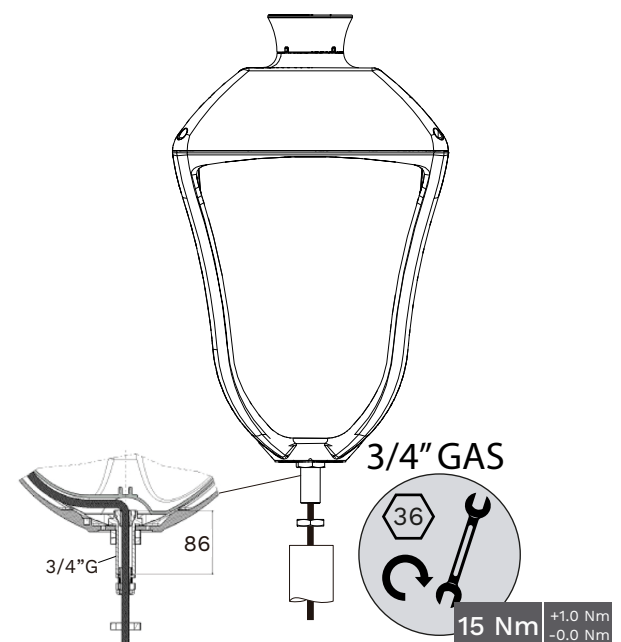


FIXATION

A Post Top Ø60



B Post Top 3/4" Gas



Torque control
 Visual control
 Assembly operation

Copyright © Schröder S.A. 2024 - Executive Publisher: Stéphane Halleux - B-4000 Liège, Rue de Mons 3 (Belgium) - The information, descriptions and illustrations herein are only of an indicative nature and subject to changes without notice.

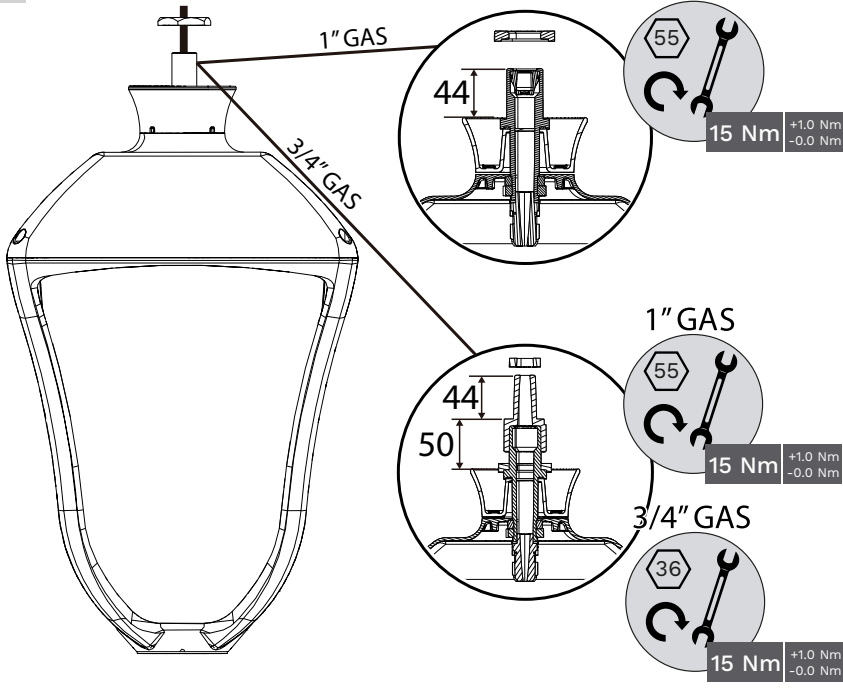
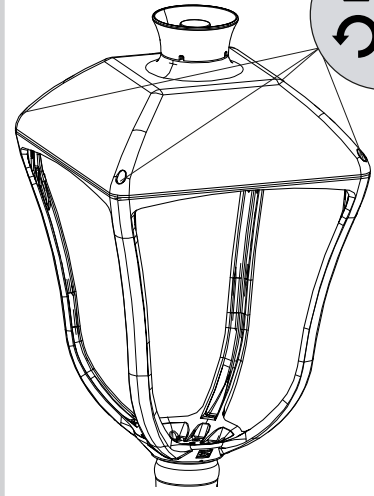
C Suspended



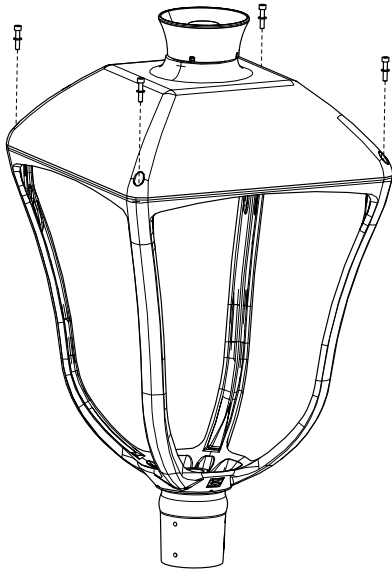
OPENING

1

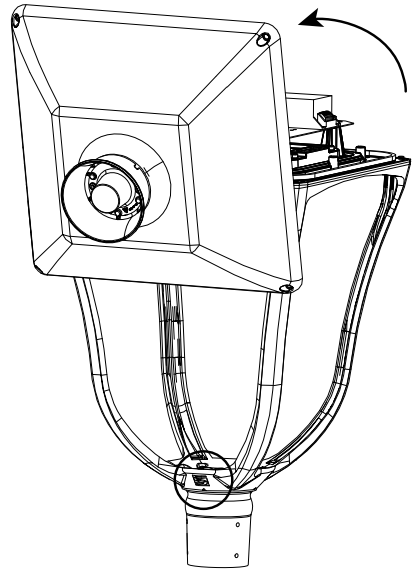
4x



2

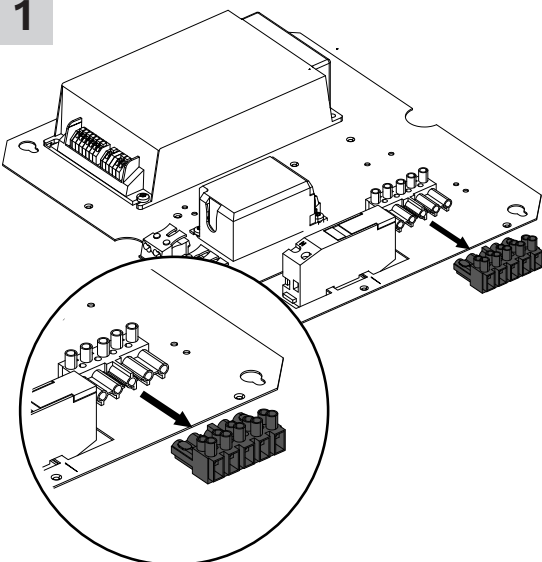


3

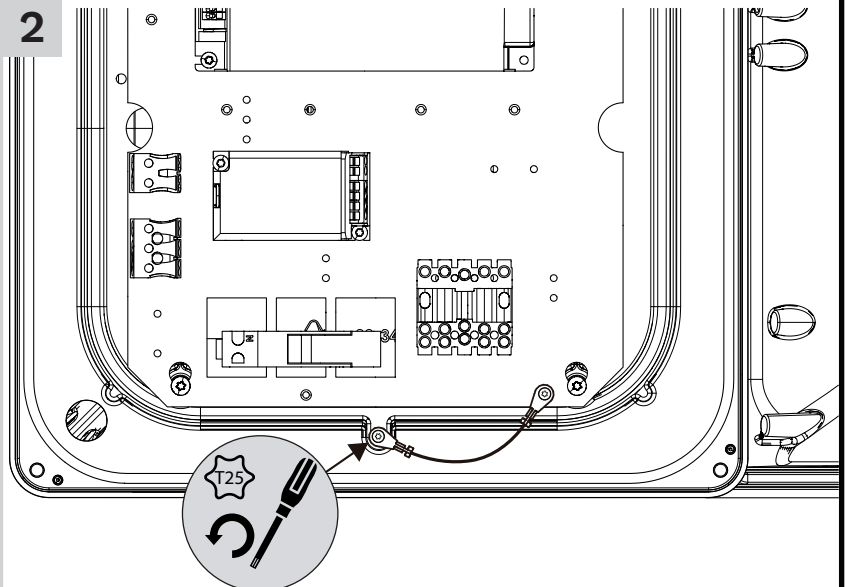


MAINTENANCE - ACCESS GEAR COMPARTMENT

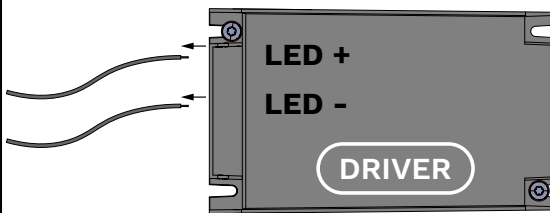
1



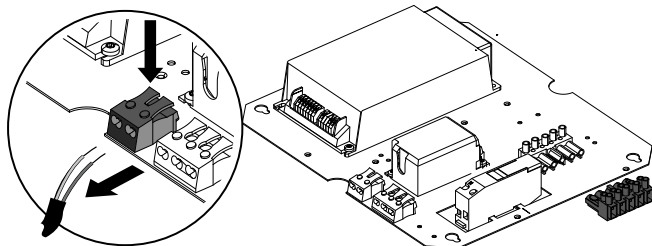
2



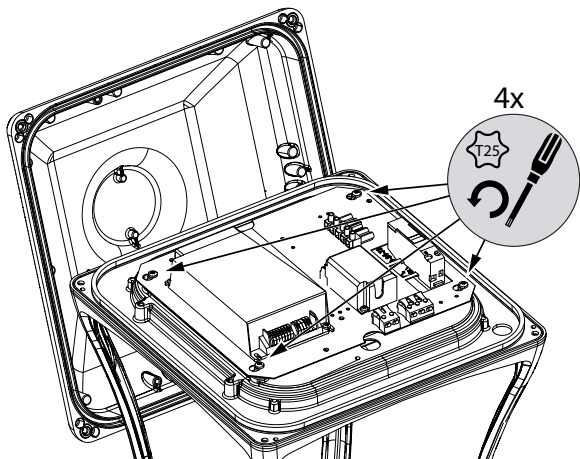
3



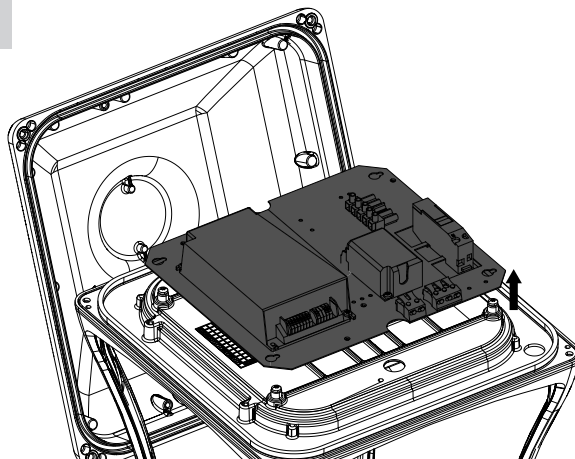
4 IF LG DRIVER



5

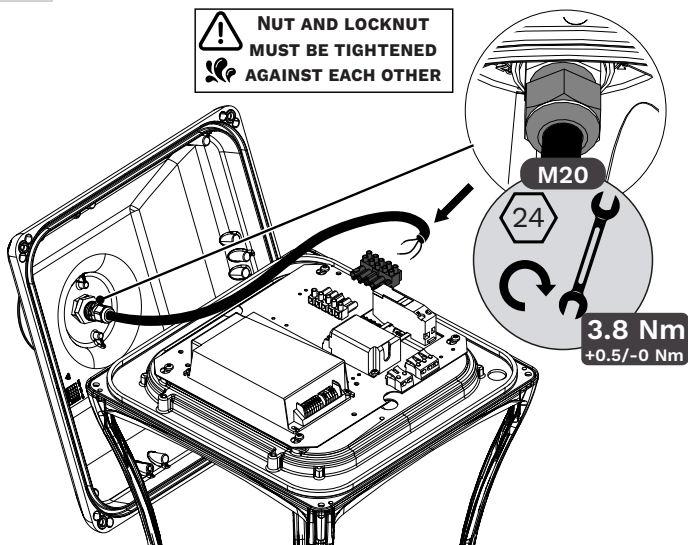


6

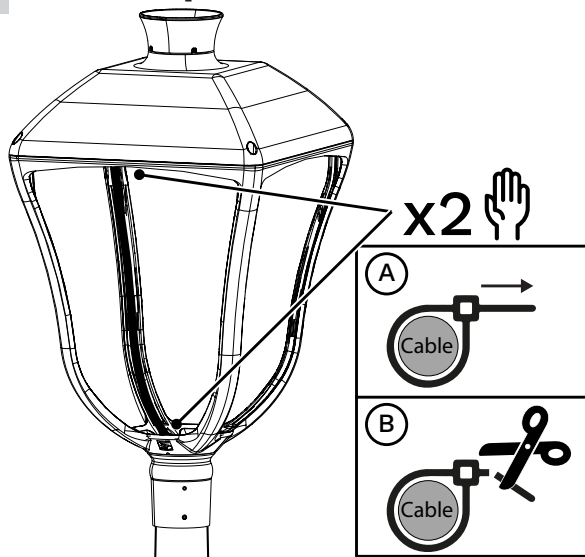


CONNECTION - IF NO MAIN CABLE

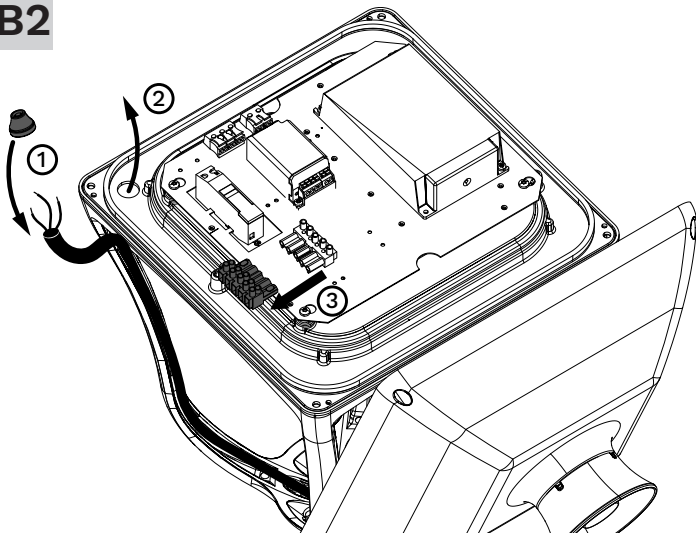
A Suspended



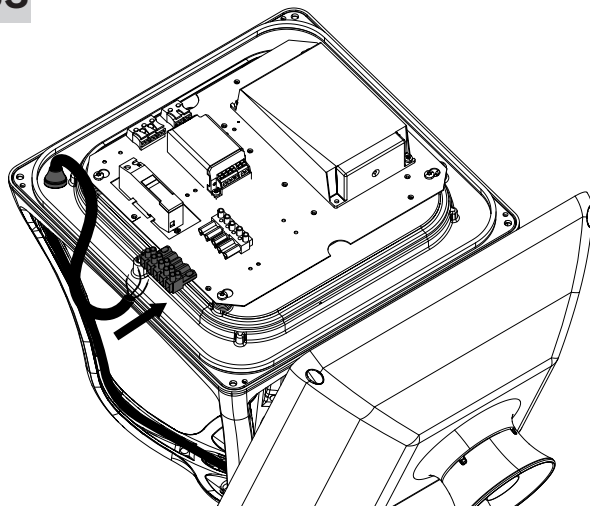
B1 Post Top



B2

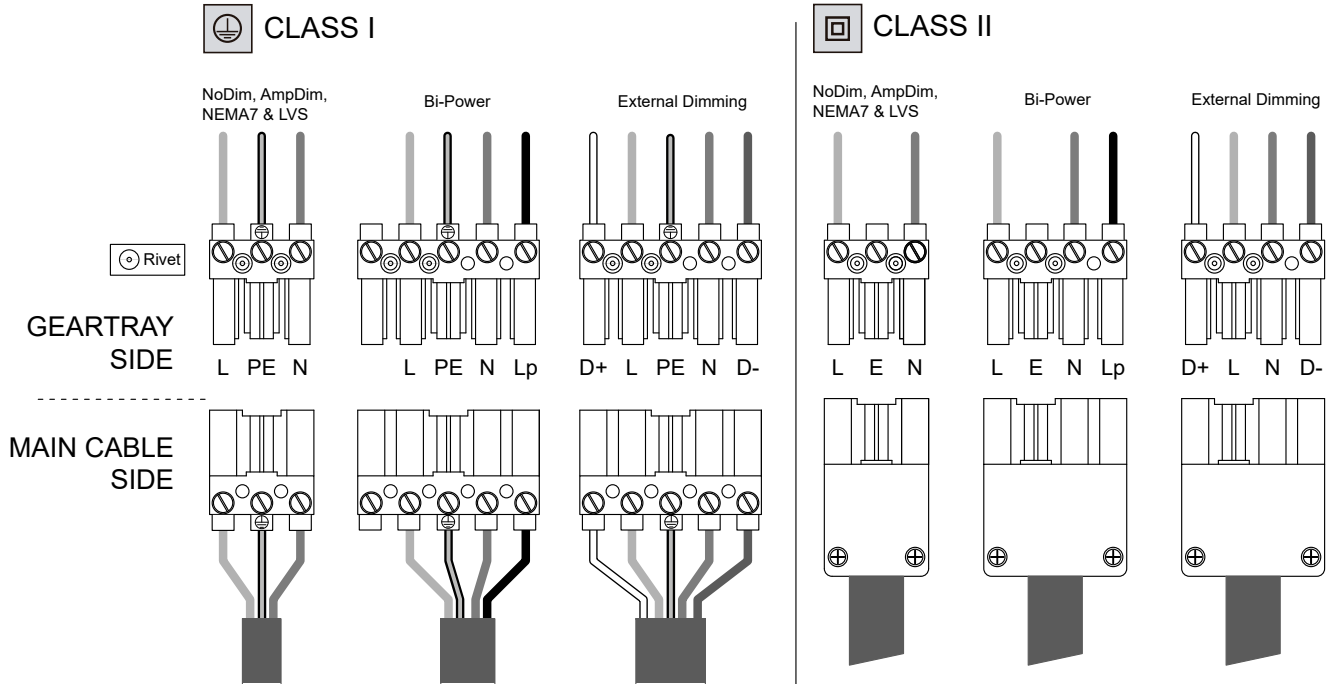


B3



CONNECTION - NO MAIN CABLE SUPPLY

⚠ LINE AND NEUTRAL MUST BE RESPECTED !



IEC



Dim

Bi-Power
Switching line



No Dim

